



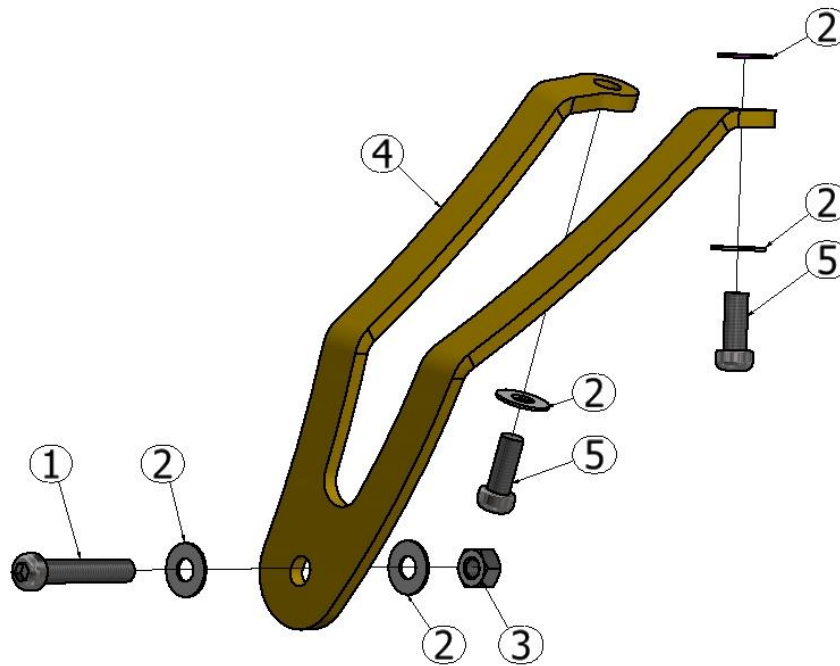
**FITTING INSTRUCTIONS FOR EH0081BK EXHAUST HANGER**  
**KTM SUPERDUKE 1290 '17-**



**THIS KIT CONTAINS THE ITEMS PICTURED AND LABELLED BELOW.**  
**DO NOT PROCEED UNTIL YOU ARE SURE ALL PARTS ARE PRESENT.**

Please note that the way the kit is packed does not necessarily represent the way of mounting to the bike.

THE PARTS SHOWN MAY BE REPRESENTATIVE ONLY (FOR CLARITY OF INSTRUCTIONS ONLY)



R&G Racing

Unit 1, Shelley's Lane, East Worldham, Alton, Hampshire, GU34 3AQ

Tel: +44 (0)1420 89007 Fax: +44 (0)1420 87301 [www.rg-racing.com](http://www.rg-racing.com) Email: [info@rg-racing.com](mailto:info@rg-racing.com)



## **LEGEND**

- ITEM 1 = M8 x 1.25 x 55mm LONG BUTTON HEAD BOLT (x1)  
ITEM 2 = M8 WASHERS (x5)  
ITEM 3 = M8 NYLOC NUT (x1)  
ITEM 4 = EXHAUST HANGER (HB0081) (x1).  
ITEM 5 = M8 x 1.25 x 20mm LONG BUTTON HEAD BOLT (x2)

## **TOOLS REQUIRED**

- Set of metric Allen keys to include 6mm A/F sizes.
  - 13mm spanner or socket & wrench
- Set of metric Torx Key to include T45

Please note that in cases where kits are packed with rubber washers holding the components onto the bolt – *the rubber washers should be thrown away!*

## **FITTING INSTRUCTIONS**

- To fit the R&G Exhaust Hanger, the OEM pillion footrest mounting bracket needs to be removed.
- To do this, remove the two top mounting bolts of the pillion footrest mounting bracket.
- Remove the exhaust mounting bolt and then remove the OEM pillion footrest mount from the bike.
- Take the R&G Exhaust Hanger (item 4) and fit the two shorter bolts (Item 5) with washers (Item 2) through the two top mounts.
- Place one washer (item 2) through the protruded end of the bolt positioned in top front mount as shown in the exploded diagram.
- Offer the exhaust hanger assembly towards the subframe and loosely fit the two top mounts into the threaded bosses on the subframe as original.
- With the exhaust hanger on the bike, ensure the lower part of the exhaust hanger is on the outside of the exhaust mounting bracket. Locate the last M8 bolt (item 1) with a washer (item 2) through the front face of the bottom mount. Locate the last washer (item 2) and Nyloc nut into the protruded end of the bolt on the other side of the bracket.
- Ensure the exhaust hanger is correctly fitted before tightening all three bolts to 20 Nm.
- Please ensure when the motorcycle is being used that no parts are in such a position that they may collide/damage other bike parts (this is particularly important if using after-market cans or exhaust systems).

***Please note that it is your responsibility to ensure that no part of the exhaust hanger or exhaust assembly fouls or comes into contact with other parts of the machine. Do not ride the motorcycle until this aspect has been verified and you have compressed the rear suspension (if appropriate to the design of the motorcycle) to test this thoroughly.***

ISSUE 1 28/07/2017 (HH)



#### **CONSUMER NOTICE**

The catalogue description and any exhibition of samples are only broad indications of the Products and R&G may make design changes which do not diminish their performance or visual appeal and supplying them in such state shall conform to the order. The Buyer acknowledges no representation or warranty (other than as to title) has been given or will apply to the Products other than those in R&G's order or confirmation and the Buyer confirms it has chosen the Products as being of merchantable quality and suitable for its particular purposes. Where R&G fits the Products or undertakes other services it shall exercise reasonable skill and care and rectify any fault free of charge unless the workmanship has been disturbed. The Buyer is responsible for ensuring that the warranty on the motorcycle is not affected by the fitting of the Products. On return of any defective Products R&G shall at its option either supply a replacement or refund the purchase money but shall not be liable if the Products have been modified or used or maintained otherwise than in accordance with R&G's or manufacturer's instructions and good engineering practice or if the defect arises from accident or neglect. Other than identified above and subject to R&G not limiting its liability for causing death and personal injury, it shall not be liable for indirect or consequential loss and otherwise its liability shall be limited to the amounts paid by the Buyer for the Products or the fitting or service concerned. These terms do not affect the Buyer's statutory rights.

#### **R&G RACING RETURNS POLICY (NON-FAULTY GOODS)**

Returns must be pre-authorized (if not pre-authorized the return will be rejected). Goods may only be returned direct to us if they were purchased direct from us (customer must prove if necessary). Otherwise to be returned to original vendor. Goods must be in re-sellable condition, in the opinion of R&G Racing. All returns are subject to a 25% restocking and handling fee (25% of the gross value exc. P&P – at the prevailing price at time of purchase). The customer must pay any and all carriage charges. No returns of discontinued products, unless within 14 days of purchase. This policy does not affect your statutory rights and does not refer to faulty goods.



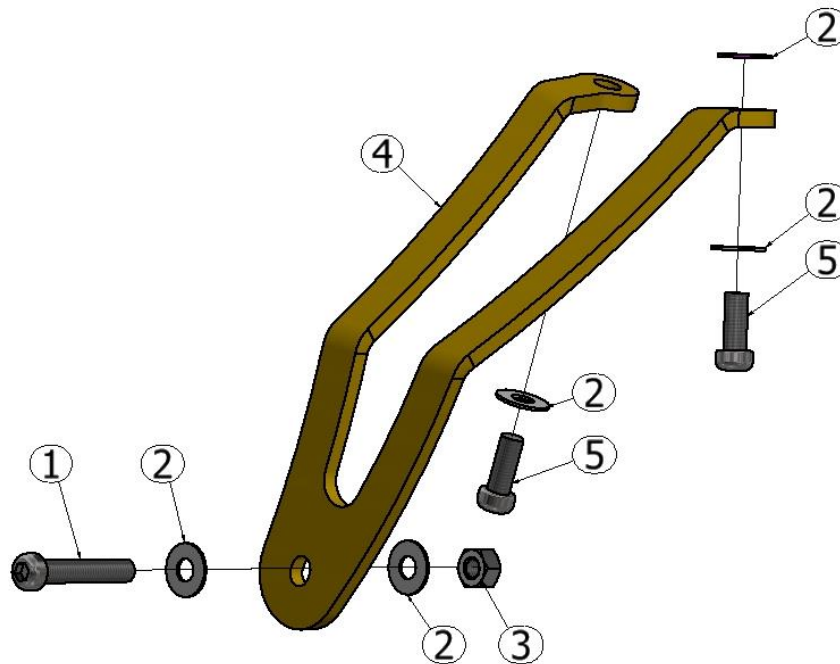
**NOTICE DE MONTAGE POUR EH0081BK SUPPORT POT D'ÉCHAPPEMENT  
KTM SUPERDUKE 1290 '17-**



**Le kit contient les articles exposés ci-dessous, vérifier que toutes les pièces soient présentes avant de  
procéder au montage.**

**La façon dont le kit est emballé ne correspond pas forcément à la façon de monter les pièces sur la moto.**

**LES PARTIES PRESENTÉES PEUVENT ÊTRE UNIQUEMENT REPRESENTATIVES (POUR LA CLARTE DES  
INSTRUCTIONS UNIQUEMENT)**



R&G Racing

Unit 1, Shelley's Lane, East Worldham, Alton, Hampshire, GU34 3AQ

Tel: +44 (0)1420 89007 Fax: +44 (0)1420 87301 [www.rg-racing.com](http://www.rg-racing.com) Email: [info@rg-racing.com](mailto:info@rg-racing.com)



## **LEGENDE**

- ARTICLE 1 = M8 x 1.25 x 55mm BOULON (x1)  
ARTICLE 2 = M8 RONDELLES (x5)  
ARTICLE 3 = M8 ÉCROU (x1)  
ARTICLE 4 = SUPPORT D'ÉCHAPPEMENT (HB0081) (x1).  
ARTICLE 5 = M8 x 1.25 x 20mm BOULON (x2)

## **OUTILS REQUIS**

- Clés Allen 6mm.
- Clé à molette 13mm.
- Clé Torx T45

Notez que si les kits sont emballés avec des rondelles en caoutchouc servant à tenir les composants, *ces rondelles doivent être jetées !*

## **NOTICE DE MONTAGE**

- Pour monter le support d'échappement R&G, le support de fixation repose pied d'origine doit être enlevé.
- Pour cela, Enlever les 2 boulons de fixation supérieurs du support de fixation repose pieds passager.
- Enlever le boulon de fixation d'échappement puis Enlever le support repose pieds passagers d'origine de la moto.
- Prendre le support d'échappement R&G (article 4) et insérez les 2 boulons courts (Article 5) avec rondelles (Article 2) dans les 2 supports supérieurs.
- Placer une rondelles (article 2) dans l'extrémité visible du boulon positionné sur le support avant supérieur, voir le schéma.
- Monter l'assemblage de support d'échappement sur le sous cadre puis insérez les 2 supports supérieurs dans les patrons filetés du sous cadre comme à l'origine.
- Une fois le support d'échappement sur la moto, veiller à ce que la partie inférieure du support d'échappement soit à l'extérieur du support de fixation d'échappement. Placer le dernier boulon M8 (article 1) avec une rondelle (article 2) dans la face avant du support inférieur. Insérer la dernière rondelle (article 2) et l'écrou sur l'extrémité visible du boulon de l'autre côté du support.
- Veiller à ce que le support d'échappement soit correctement monté avant de serrer les 3 boulons à 20 Nm.
- Vérifier qu'aucune partie de la moto ne puisse potentiellement heurter une autre partie de la moto lors de son utilisation (cela est particulièrement important si vous utilisez un pot d'échappement qui n'est pas d'origine).

***Il est de votre responsabilité de veiller à ce qu'aucune partie du support de pot d'échappement ne puisse entrer en contact avec d'autres parties de la moto. Ne pas utiliser la moto tant que ce point n'a pas été vérifié, en ayant compresser l'amortisseur arrière (si le design de la moto le permet).***

ISSUE 1 28/07/2017 (HH)



#### **CONSUMER NOTICE**

The catalogue description and any exhibition of samples are only broad indications of the Products and R&G may make design changes which do not diminish their performance or visual appeal and supplying them in such state shall conform to the order. The Buyer acknowledges no representation or warranty (other than as to title) has been given or will apply to the Products other than those in R&G's order or confirmation and the Buyer confirms it has chosen the Products as being of merchantable quality and suitable for its particular purposes. Where R&G fits the Products or undertakes other services it shall exercise reasonable skill and care and rectify any fault free of charge unless the workmanship has been disturbed. The Buyer is responsible for ensuring that the warranty on the motorcycle is not affected by the fitting of the Products. On return of any defective Products R&G shall at its option either supply a replacement or refund the purchase money but shall not be liable if the Products have been modified or used or maintained otherwise than in accordance with R&G's or manufacturer's instructions and good engineering practice or if the defect arises from accident or neglect. Other than identified above and subject to R&G not limiting its liability for causing death and personal injury, it shall not be liable for indirect or consequential loss and otherwise its liability shall be limited to the amounts paid by the Buyer for the Products or the fitting or service concerned. These terms do not affect the Buyer's statutory rights.

#### **R&G RACING RETURNS POLICY (NON-FAULTY GOODS)**

Returns must be pre-authorized (if not pre-authorized the return will be rejected). Goods may only be returned direct to us if they were purchased direct from us (customer must prove if necessary). Otherwise to be returned to original vendor. Goods must be in re-sellable condition, in the opinion of R&G Racing. All returns are subject to a 25% restocking and handling fee (25% of the gross value exc. P&P – at the prevailing price at time of purchase). The customer must pay any and all carriage charges. No returns of discontinued products, unless within 14 days of purchase. This policy does not affect your statutory rights and does not refer to faulty goods.



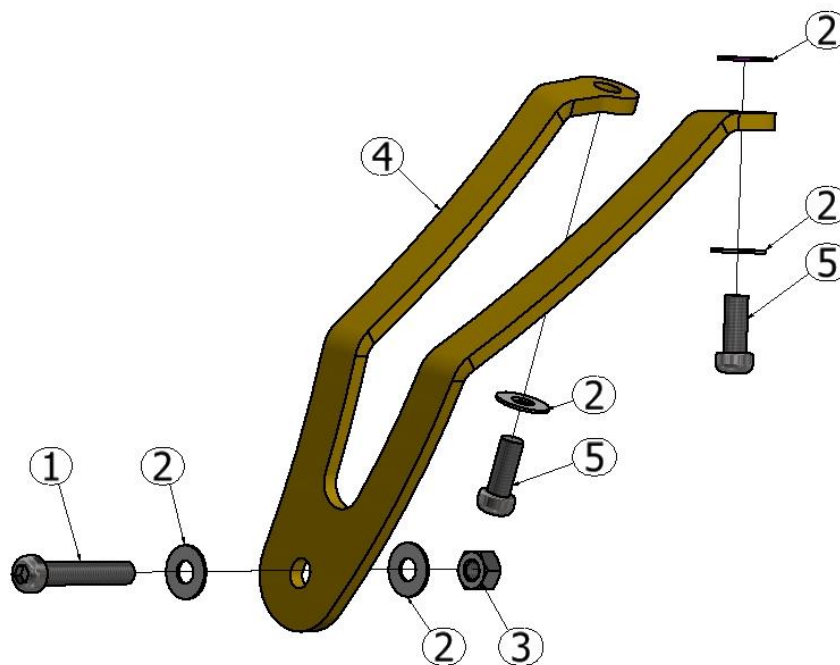
**MONTAGEANLEITUNG FÜR EH0081BK AUSPUFFHALTERUNG**  
**KTM SUPERDUKE 1290 '17-**



**ALLE KIT-TEILE SIND UNTEN ABGEBILDET UND GEKENNZEICHNET. BEVOR SIE MIT DER MONTAGE BEGINNEN, ÜBERPRÜFEN SIE, DASS ALLE TEILE VORHANDEN SIND.**

Hinweis: Die Verpackung der Teile stellt nicht die Reihenfolge der Montage dar.

DIE UNTEN ABGEBILDETEN TEILE DIENEN LEDIGLICH ZUR ERKLÄRUNG





## **LIEFERUMFANG**

ARTIKEL 1 = M6 x 1.25 x 55mm INBUSSCHRAUBE (x1)

ARTIKEL 2 = M8 UNTERLEGSCHIEBE (x5)

ARTIKEL 3 = M8 SELBSTSICHERNDE MUTTER (x1)

ARTIKEL 4 = R&G AUSPUFFHALTERUNG (HB0081) (x1)

ARTIKEL 5 = M8 x 1.25 x 20mm INBUSSCHRAUBE (x2)

## **SIE BENÖTIGEN FOLGENDES WERKZEUG**

- Satz Inbusschlüssel inkl. 6mm Inbusschlüssel
  - 13mm Schraubenschlüsseln
- Satz Torx-Schlüssel inkl. T45 Torx-Schlüssel

Hinweis für Kits mit Plastikunterlegscheiben an den Schrauben – *Diese Plastikunterlegscheiben werden nicht für den Einbau benötigt!*

## **MONTAGEANLEITUNG**

- Um die R&G Auspuffhalterung montieren zu können, müssen Sie die original Montagehalterung für die Beifahrer-Fußraste entfernen.
- Entfernen Sie daher die zwei Montageschrauben oben an den Montagehalterungen für die Beifahrer-Fußraste.
- Entfernen Sie die Montageschraube für den Auspuff und entfernen Sie die original Beifahrer-Fußraste vom Motorrad.
- Nehmen Sie die R&G Auspuffhalterung (Artikel 4) und montieren Sie die zwei kürzeren Schrauben (Artikel 5), die mit Unterlegscheiben (Artikel 2) versehen sind, an den oberen Halterungen.
- Eine Unterlegscheibe (Artikel 2) am hervorstehenden Ende der Schraube, die oben an der vorderen Halterung positioniert ist, anbringen, wie in der Explosionszeichnung abgebildet.
- Die Auspuffhalterung-Einheit an den Hilfsrahmen ansetzen und die zwei oberen Halterungen lose in den Gewindeeinsätzen am Hilfsrahmen wie ursprünglich wieder montieren.
- Wenn die Auspuffhalterung am Motorrad montiert ist, bitte darauf achten, dass das untere Teil der Auspuffhalterung an der Außenseite der Montagehalterung für den Auspuff ist. Nehmen Sie die letzte M8 Schraube (Artikel 1), die mit einer Unterlegscheibe (Artikel 2) versehen ist, und diese durch die Vorderseite der unteren Halterung einführen. Die letzte Unterlegscheibe (Artikel 2) und selbstsichernde Mutter am hervorstehenden Ende der Schraube an der anderen Seite der Halterung anbringen.
- Überprüfen Sie, dass die Auspuffhalterung ordnungsgemäß montiert ist, bevor Sie alle drei Schrauben mit 20 Nm festziehen.
- Bitte achten Sie darauf, dass keine Teile so angebaut werden, dass sie andere Teile des Motorrades beschädigen/berühren können (die ist besonders wichtig, wenn Sie einen Auspuff oder Endtopf aus dem Zubehörmarkt anbauen).

***Wichtiger Hinweis: Es obliegt Ihrer Verantwortung sicherzustellen, dass keine Teile der Auspuffhalterung oder Auspuffanlage mit anderen Teilen des Motorrades in Berührung kommen und/oder sie beschädigen. Fahren Sie nicht mit dem Motorrad bis dies sorgfältig überprüft wurde und Sie den hinteren Federweg genau kontrolliert haben (falls zutreffend, Modellabhängig).***

AUSGABE 1 28/07/2017 (HH)

R&G Racing

Unit 1, Shelley's Lane, East Worldham, Alton, Hampshire, GU34 3AQ

Tel: +44 (0)1420 89007 Fax: +44 (0)1420 87301 [www.rg-racing.com](http://www.rg-racing.com) Email: [info@rg-racing.com](mailto:info@rg-racing.com)





#### **CONSUMER NOTICE**

The catalogue description and any exhibition of samples are only broad indications of the Products and R&G may make design changes which do not diminish their performance or visual appeal and supplying them in such state shall conform to the order. The Buyer acknowledges no representation or warranty (other than as to title) has been given or will apply to the Products other than those in R&G's order or confirmation and the Buyer confirms it has chosen the Products as being of merchantable quality and suitable for its particular purposes. Where R&G fits the Products or undertakes other services it shall exercise reasonable skill and care and rectify any fault free of charge unless the workmanship has been disturbed. The Buyer is responsible for ensuring that the warranty on the motorcycle is not affected by the fitting of the Products. On return of any defective Products R&G shall at its option either supply a replacement or refund the purchase money but shall not be liable if the Products have been modified or used or maintained otherwise than in accordance with R&G's or manufacturer's instructions and good engineering practice or if the defect arises from accident or neglect. Other than identified above and subject to R&G not limiting its liability for causing death and personal injury, it shall not be liable for indirect or consequential loss and otherwise its liability shall be limited to the amounts paid by the Buyer for the Products or the fitting or service concerned. These terms do not affect the Buyer's statutory rights.

#### **R&G RACING RETURNS POLICY (NON-FAULTY GOODS)**

Returns must be pre-authorized (if not pre-authorized the return will be rejected). Goods may only be returned direct to us if they were purchased direct from us (customer must prove if necessary). Otherwise to be returned to original vendor. Goods must be in re-sellable condition, in the opinion of R&G Racing. All returns are subject to a 25% restocking and handling fee (25% of the gross value exc. P&P – at the prevailing price at time of purchase). The customer must pay any and all carriage charges. No returns of discontinued products, unless within 14 days of purchase. This policy does not affect your statutory rights and does not refer to faulty goods.